

Notes :

Model : PZ75 - 'Piccolo'

Cooking Floor : 68cm x 46cm
 Oven Mouth : 52cm x 22cm
 Heating Time: 300 minutes
 Max. Temperature : 450°C
 Oven Material : Stainless Steel
 Oven Floor Material : Alumina Silicate Bricks
 Recommended Fuel : Hardwood logs, 7cm dia.
 Chimney : Insulated Stainless Steel 13cm dia.
 Assembled Weight : 105kgs

Colours :

Cart : Anthracite
 Oven : Wine Red
 Anthracite
 Melon Yellow
 Others on request.

Packaging :

In wooden crate. Cart to be assembled.

Rev	Date	Amendment	Drawn	Checked



Head Office
 WoodCo Energy Ireland
 Donaskeigh, Tipperary, Co. Tipperary, Ireland

E. info@woodco-energy.com www.woodco-energy.com

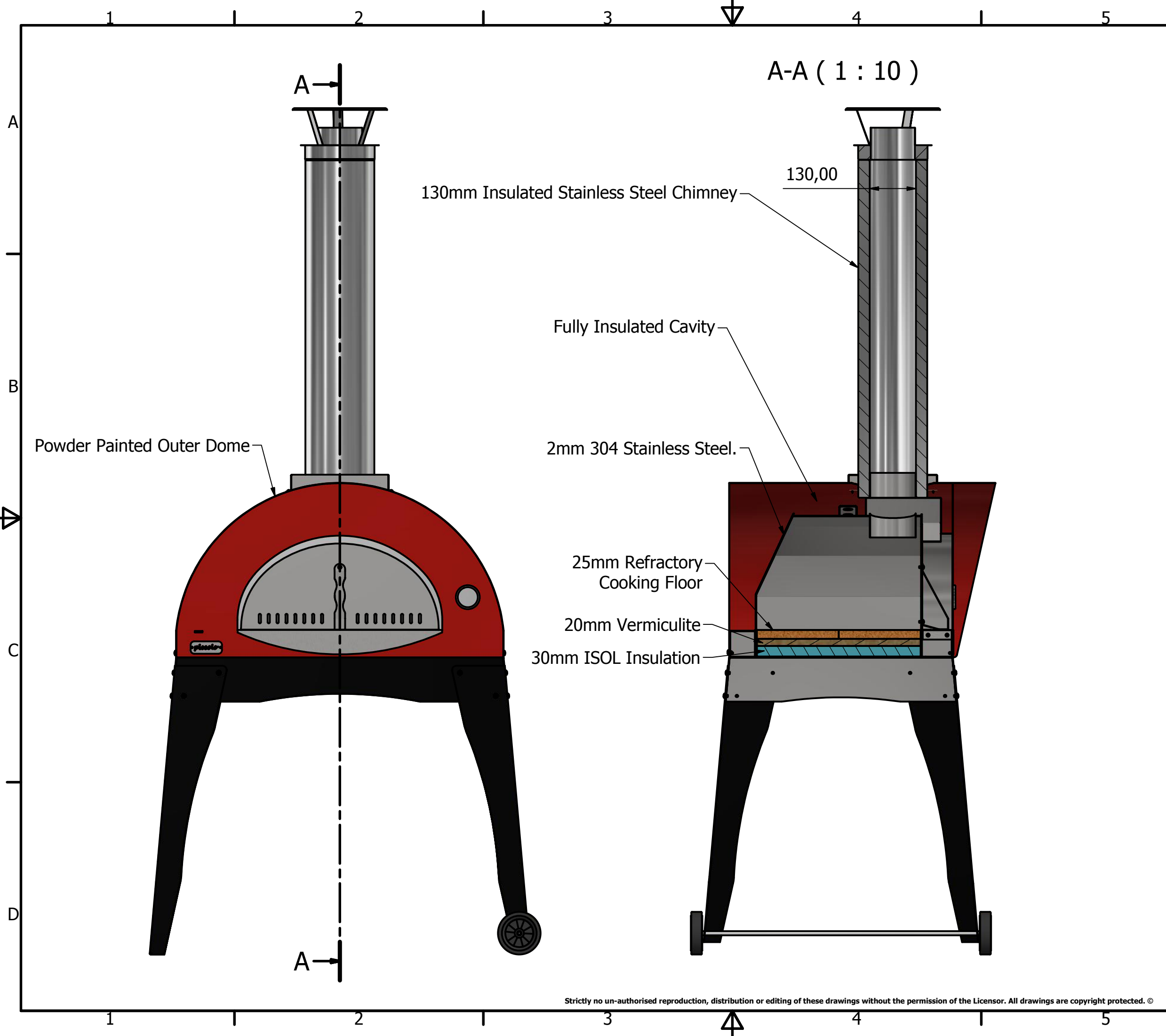
Drawing
'Piccolo'
PZ75 Outdoor Wood Oven
General Information

Designed By DC	Checked By GPNC
--------------------------	---------------------------

Status Information	Date 12/11/2018
------------------------------	--------------------

Drawing Number
PZ75 INFO 001

Project No.	Scale	Revision	Sheet 1 / 3
-------------	-------	----------	----------------



Notes :

Rev	Date	Amendment	Drawn	Checked



Head Office
 WoodCo Energy Ireland
 Donaskeigh, Tipperary, Co. Tipperary, Ireland
 E. info@woodco-energy.com www.woodco-energy.com

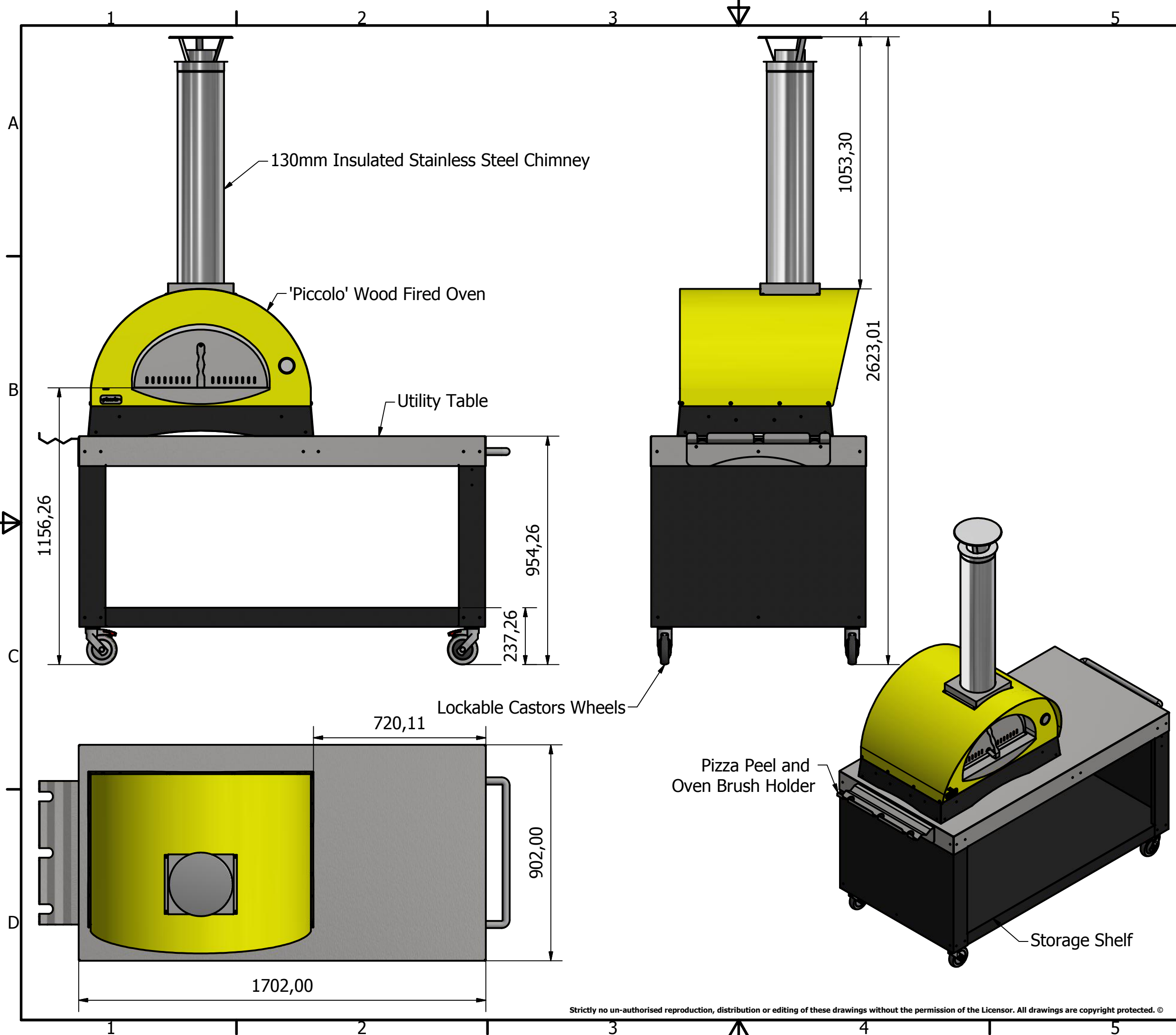
Drawing
'Piccolo'
PZ75 Outdoor Wood Oven
 General Information

Designed By DC	Checked By GPNC
--------------------------	---------------------------

Status Information	Date 12/11/2018
------------------------------	--------------------

Drawing Number
PZ75 INFO 002

Project No.	Scale	Revision	Sheet 2 / 3
-------------	-------	----------	-----------------------



Notes :

Model : PZUTL1700 - Utility Table

Table Top : 170cm x 90cm
 Free Area (with oven mounted) : 72cm x 90cm
 Material - Table Top : Stainless Steel
 Material - Frame Panels : Powder Painted Steel
 Wheels : Lockable Multi-directional Castors
 Assembled Weight : 120kgs

Colours :
 Frame Panels : Anthracite
 (others available on request.)

Packaging :
 In wooden crate. Table to be assembled.

Features :

- Food grade stainless steel worktop
- Durable textured powderpaint finish
- Lockable castor wheels
- Pizza peel and oven brush holder
- Bottle opener

Rev	Date	Amendment	Drawn	Checked



Head Office
 WoodCo Energy Ireland
 Donaskeigh, Tipperary, Co. Tipperary, Ireland

E. info@woodco-energy.com www.woodco-energy.com

Drawing
'Piccolo' with Utility Table
PZ75 Outdoor Wood Oven
 General Information

Designed By DC	Checked By GPNC
--------------------------	---------------------------

Status Information	Date 12/11/2018
------------------------------	--------------------

Drawing Number
PZ75 INFO 003

Project No.	Scale	Revision	Sheet 3 / 3
-------------	-------	----------	-----------------------